

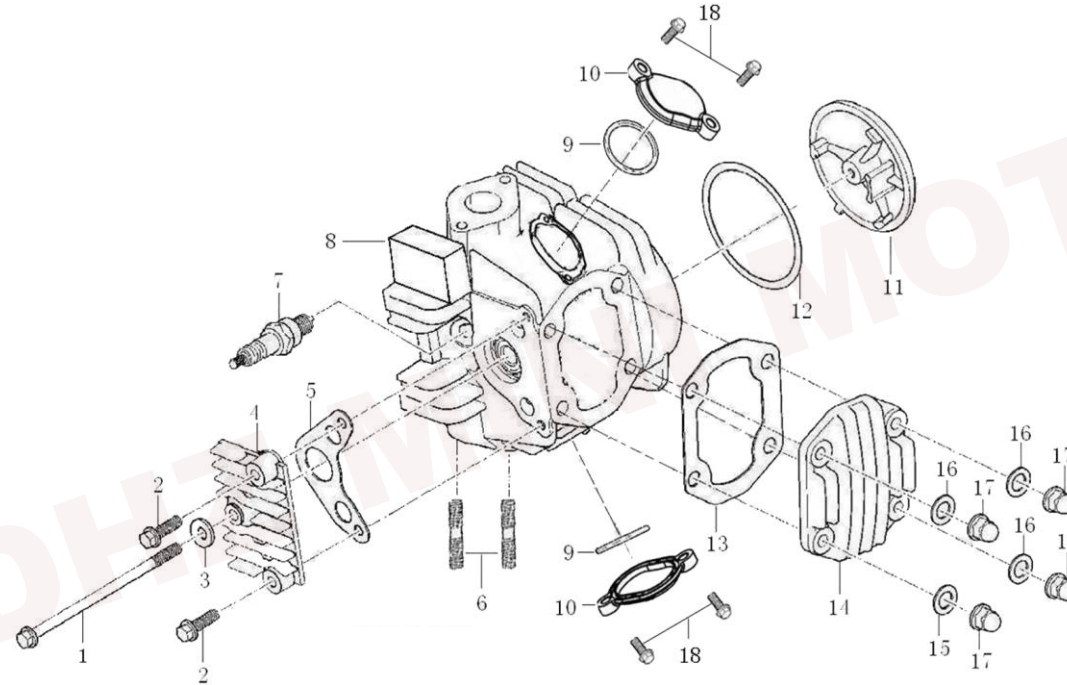
DHZ DPRO140 ZongShen140cc Engine Parts Diagram



TABLE OF CONTENT

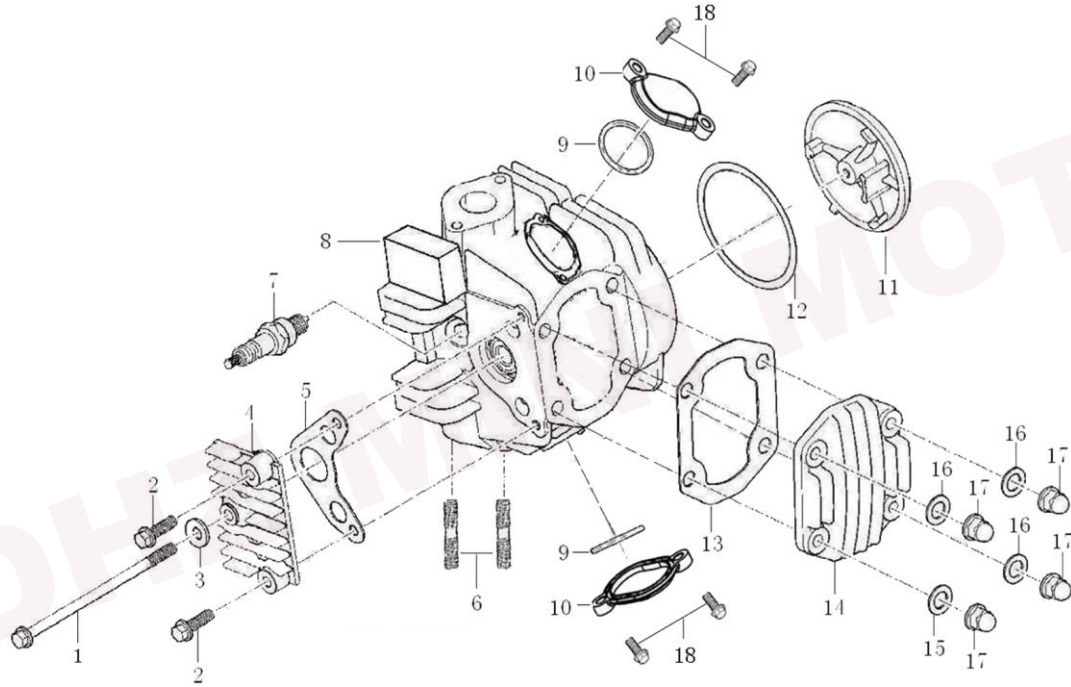
CYLINDER HEAD ASSY.	1
CLINDER ASSEMBLY	3
VALVE MECHANISM	4
RIGHT CRANKCASE COVER	6
CLUTCH ASSY	7
OIL PUMP	9
LEFT CRANKCASE	11
RIGHT CRANKCASE	12
CRANKSHAFT CONNECTING-ROD ASSY/PISTON	13
TRANSMISSION MAIN, COUNTER SHAFT	14
KICK STARTING SHAFT ASSEMBLY	16
GEARSHIFT MECHANISM	18
MAGNETO COMP	20

CYLINDER HEAD ASSY.



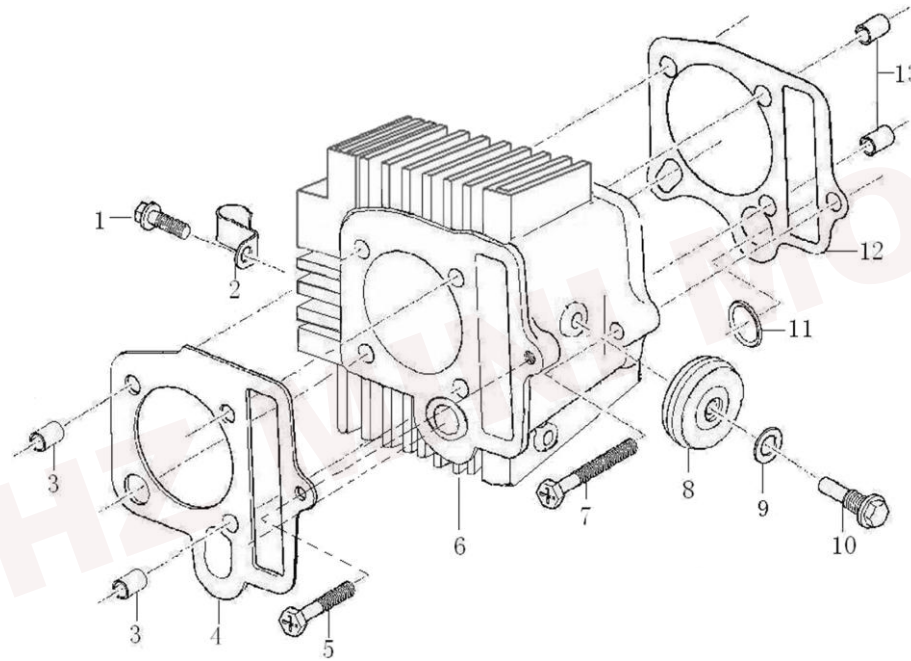
REF.No.	PART No.	DESCRIPTION	QTY
1	91192-D002-0000X	BOLT M6x110	1
2	B166740A06002570X	BOLT M6x25	2
3	93301-70651012000	WASHER 6.5x1x12	1
4	11228-H021-02000W	RIGHT COVER, CYLINDER HEAD	1
5	90203-D002-0000	GASKET,R.CYLINDER HEAD COVER	1
6	91138-I015-00000X	BOLT M6x32	2
7	81300-G011-0000	SPARK PLUG	1
8	1122B-JA16-00000W	CYLINDER HEAD ASSY	1
9	90101-20296000320	O-RING 29.6x3.2	2
10	11230-JA16-00000W	COVER, VALVE CHAMBER	2
11	11227-H021-01000A	LEFT COVER, CYLINDER HEAD	1
12	90202-H021-0000	GASKET,L,CYLINDER HEAD COVER	1
13	90201-I096-0000	GASKET, CYLINDER HEAD UPPER COVER	1
14	11226-I096-00000W	UPPER COVER, CYLINDER HEAD	1
15	93301-80732514000	WASHER 7.3x2.5x14	1

CYLINDER HEAD ASSY.



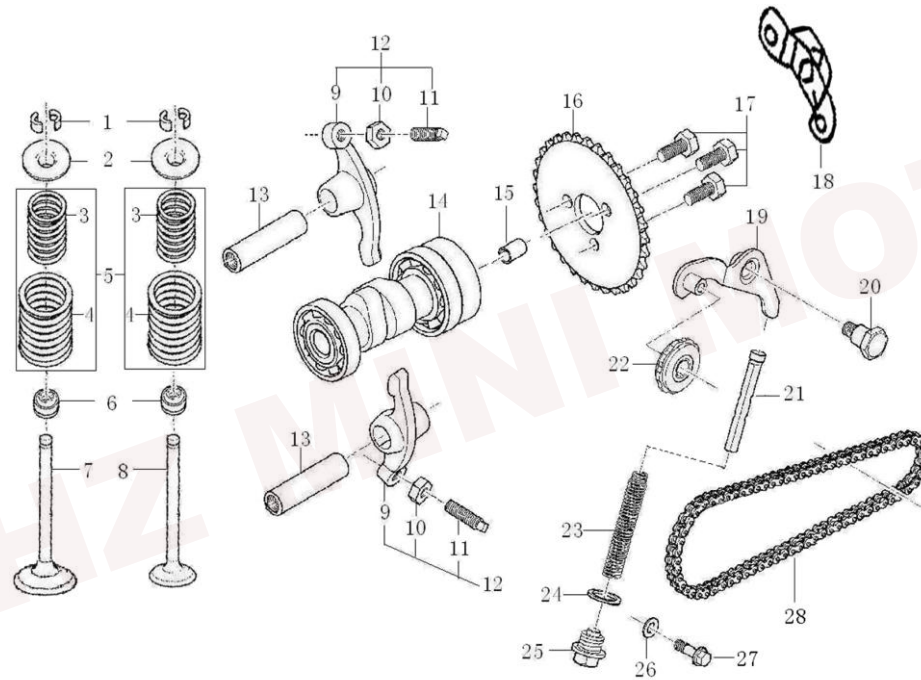
REF.No.	PART No.	DESCRIPTION	QTY
16	93301-2073251400B	WASHER 7.3x2.5x14	3
17	91201-G011-00000X	NUT M7	4
18	B166740A06001670X	BOLT M6x16	4

CYLINDER ASSEMBLY



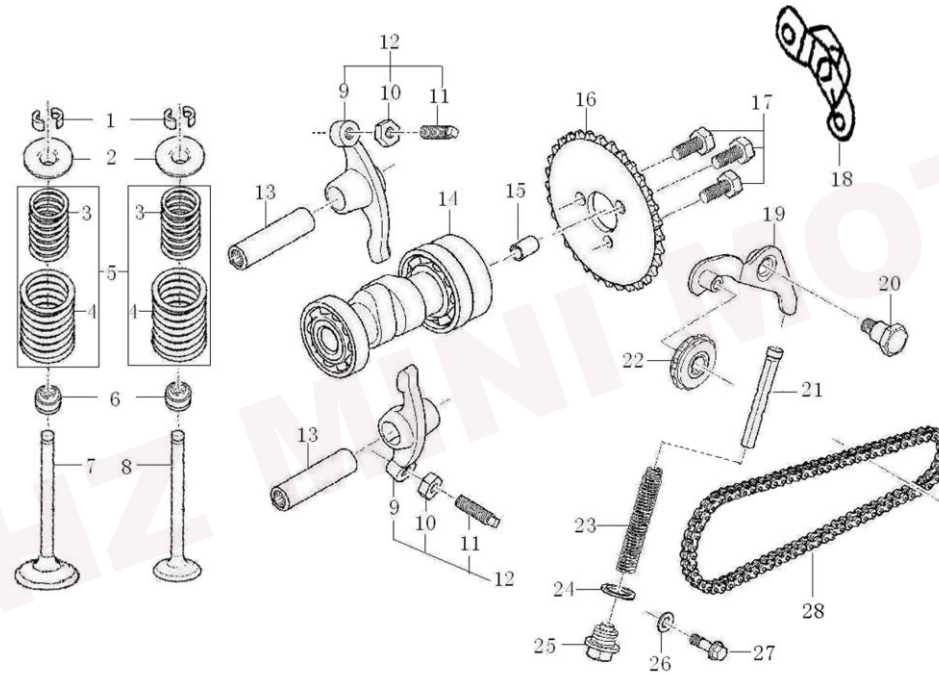
REF.No.	PART No.	DESCRIPTION	QTY
1	B166740A06001670X	BOLT M6x16	1
2	11003-D002-00000X	CLIP, HIGH VOLTAGE WIRE	1
3	91521-08001400070	PIN 8x14x7	2
4	9022B-JA16-0000	GASKET ASSY,CYLINDER HEAD	1
5	91113-D002-00000X	BOLT M6x23	1
6	1110B-JA16-00000Y	CYLINDER BLOCK ASSEMBLY	1
7	91113-H021-00000X	BOLT M6x30	1
8	1533A-HZ30-0100	GUIDE CHAIN ROLLER SET	1
9	93301-70851514000	WASHER 8.5x1.5x14	1
10	15302-H021-00000X	GUIDE CHAIN ROLLER PIN	1
11	90102-D002-0002	RECTANGLE RING 11.5x16x2.5	1
12	90205-JA16-0000	GASKET,CYLINDER BLOCK	1
13	91521-08001200070	PIN 8x12x7	2

VALVE MECHANISM



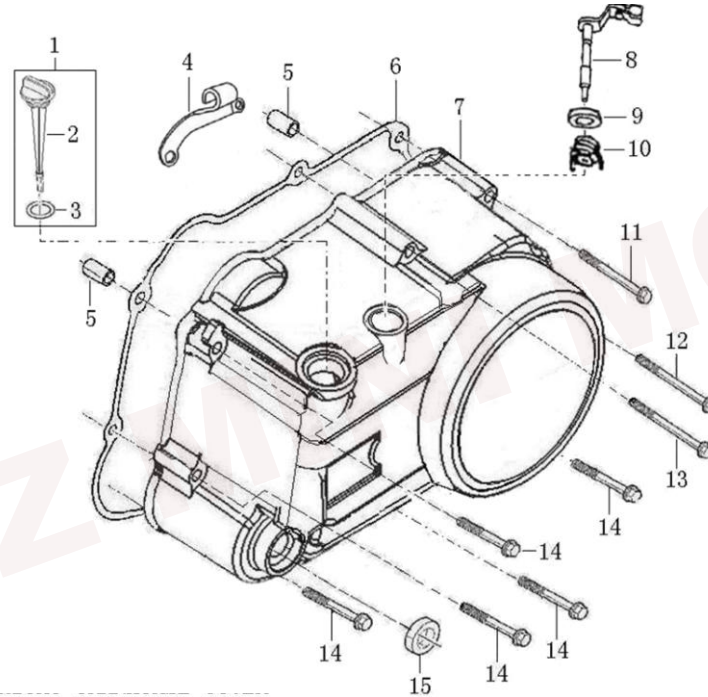
REF.No.	PART No.	DESCRIPTION	QTY
1	15707-D002-0000	VALVE COTTER	4
2	15705-D002-0000	SPRING SEAT	2
3	15704-JA16-0000	VALVE INNER SPRING	2
4	15703-JA16-0000	VALVE OUTER SPRING	2
5	15710-JA16-0000	INNER SPRING,ASSY	2
6	1572B-D002-0000	SEAL, VALVE STEM	2
7	15701-I096-0000	INLET VALVE	1
8	15702-I096-0000	EXHAUST VALVE	1
9	15401-D002-0000	ROCKER ARM	2
10	15403-D002-0000	NUT,VALVE CLEARANCE	2
11	15404-D002-0000	SCREW, VALVE CLEARANCE	2
12	1540A-D002-0000	ROCKER ARM ASSEMBLY, VALVE	2
13	15402-D002-0000	ROCKER SHAFT	2
14	15100-JA16-0000	GAMP SHAFT COMP	1
15	91521-08001200063	PIN 8x12x6.3	1

VALVE MECHANISM



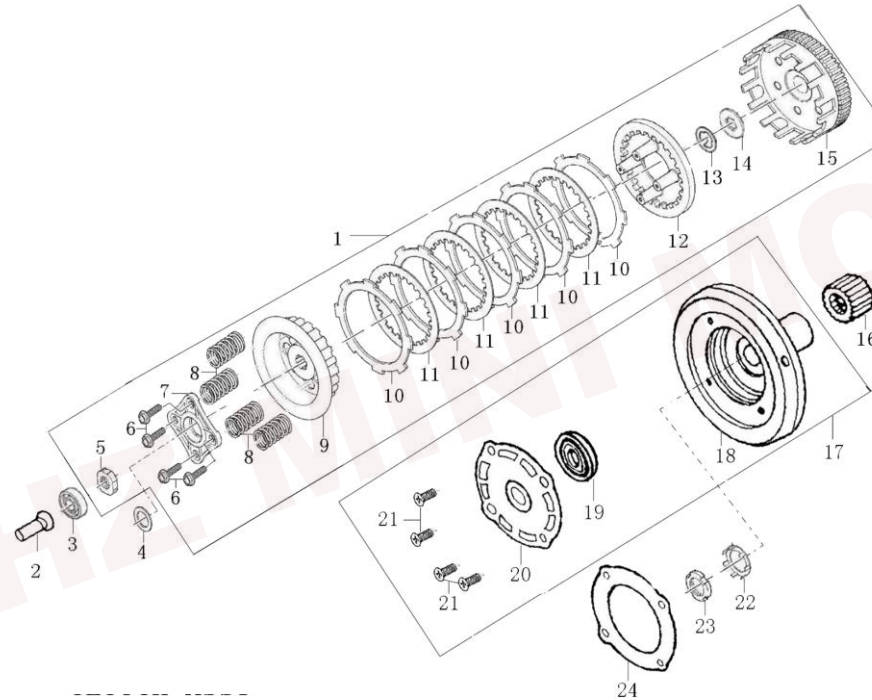
REF.No.	PART No.	DESCRIPTION	QTY
16	15301-JA16-0000	TIMING DRIVEN SPROCKET	1
17	91191-D002-0000	BOLT M5x12	3
18	11203-G011-0000	LIMIT PLATE, REDUCTING VALVE	1
19	1556B-D002-0000	CHAIN ADJUSTING SET	1
20	15505-D002-0000	AXLE, TENSIONER LEVER	1
21	1555B-D002-0000	CHAIN TYHT SET	1
22	1554B-D002-0000	LIFTER ASSY	1
23	15503-D002-0000	SPRING	1
24	93301-71451520000	WASHER 14.5x1.5x20	1
25	91105-D002-00000X	SEALING PLUG M14x1.5	1
26	93301-70621513000	WASHER 6.2x1.5x13	1
27	B166740006001870X	BOLT M6x18	1
28	1532B-IA25-0000	SPROKET CHAIN	1

RIGHT CRANKCASE COVER



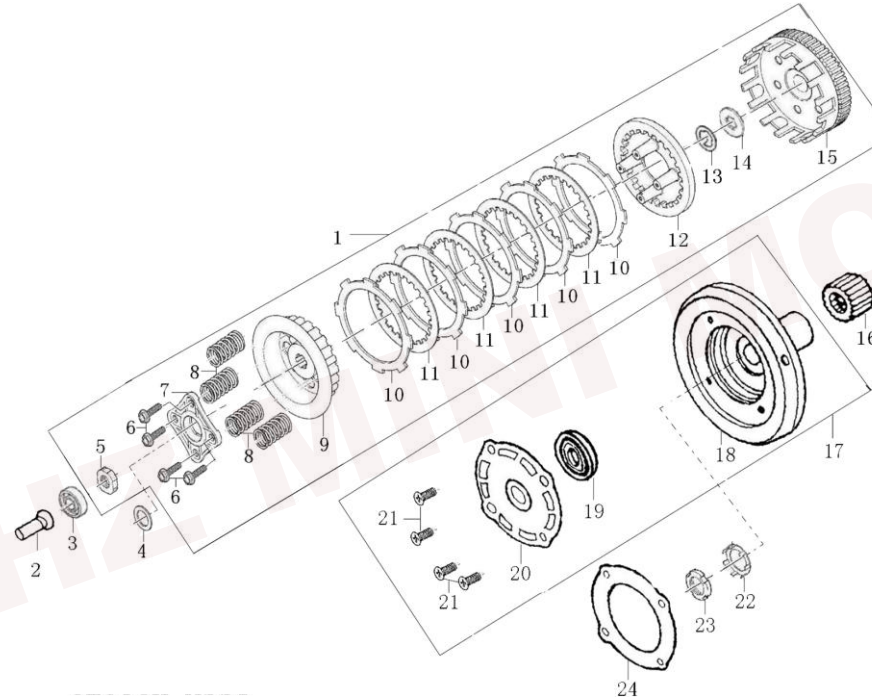
REF.No.	PART No.	DESCRIPTION	QTY
1	14301-G011-0000	OIL RULER ASSY	1
2	14308-G011-0000	OIL DIPSTICK	1
3	90101-10180000300	O-RING 18x3	1
4	22422-IZ02-00000X	HOLDER, CLUTCH CABLE	1
5	91521-08001200063	PIN 8x12x6.3	2
6	90206-IZ02-0000	GASKET, R.CRANKCASE COVER	1
7	12421-JA16-000089	COVER COMP. RIGHT CRANKCASE	1
8	2242A-MA21-00000X	CONTROLLING ARM ASSEMBLY, CLUTCH	1
9	90306-I016-0000	OIL SEAL 12x18x5	1
10	22427-I016-0000	CLUTCH CONTROLLING ARM SPRING	1
11	B166740A06008070X	BOLT M6x80	1
12	B166740A06005070X	BOLT M6x50	1
13	B166740A06006570X	BOLT M6x65	1
14	B166740A06004070X	BOLT M6x40	5
15	90304-D002-0000	OIL SEAL 13.8x24x5	1

CLUTCH ASSY



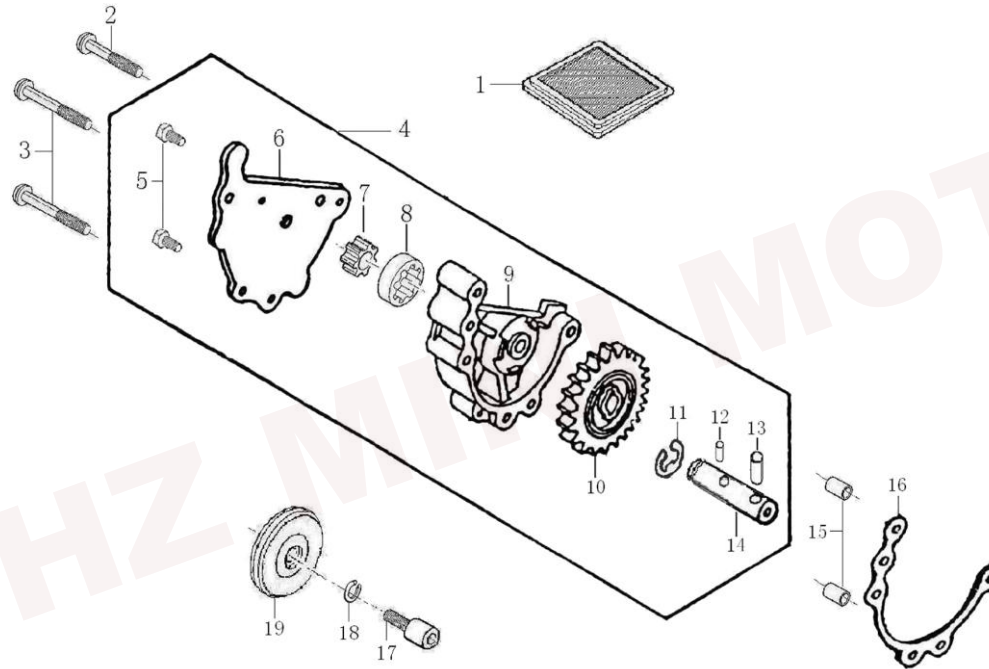
REF.No.	PART No.	DESCRIPTION	QTY
1	22000-JA16-0100	CLUTCH ASSY	1
2	22403-G007-0000	PUSHING ROD, CLUTCH	1
3	92102-00000006000	BEARING (6000)	1
4	22004-G011-0000	DISH WASHER, CLUTCH	1
5	91202-G011-0000	LOCK NUT, CLUTCH	1
6	B057890006002270B	BOLT M6x22	4
7	22121-G011-0000	END COVER,CLUTCH	1
8	22142-JA16-0000	SPRING, CLUTCH	4
9	22105-JA16-0000	CENTER SLEEVE, CLUTCH	1
10	22214-I006-0000	DRIVE FRICTION DISK	5
11	22215-JA16-0000	OUTER FRICTION DISK A	4
12	22122-JA16-0000	PRESSURE PLATE, CLUTCH	1
13	22103-G011-0000	FIXING RING, CLUTCH	1
14	22002-G011-0000	WASHER	1
15	22150-IZ02-0000	OUT CASE ASSEMBLY, CLUTCH	1

CLUTCH ASSY



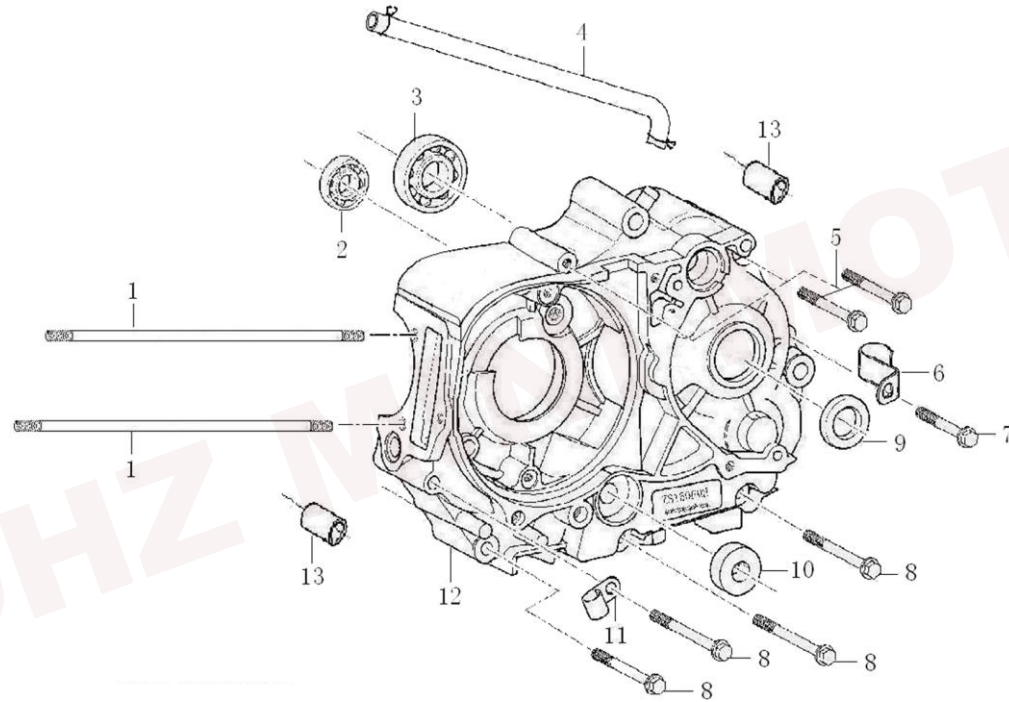
REF.No.	PART No.	DESCRIPTION	QTY
16	23101-G007-0000	PRIMARY DRIVE GEAR	1
17	14200-JA16-0000	OIL FILTER,COMP	1
18	14203-JA16-0100	ROTOR ASS. OF OIL FILTER	1
19	90337-G007-0000	OIL SEAL 6x25x6	1
20	14207-G007-0000	OIL FILTER COVER	1
21	B008190105001220B	SCREW M5x12	4
22	93318-4175103200C	WASHER 17.5x1.0x32	1
23	91208-G011-0000	LOCK NUT, PRIMARY CLUTCH	1
24	90209-G007-0000	GASKET, OIL FILTER	1

OIL PUMP



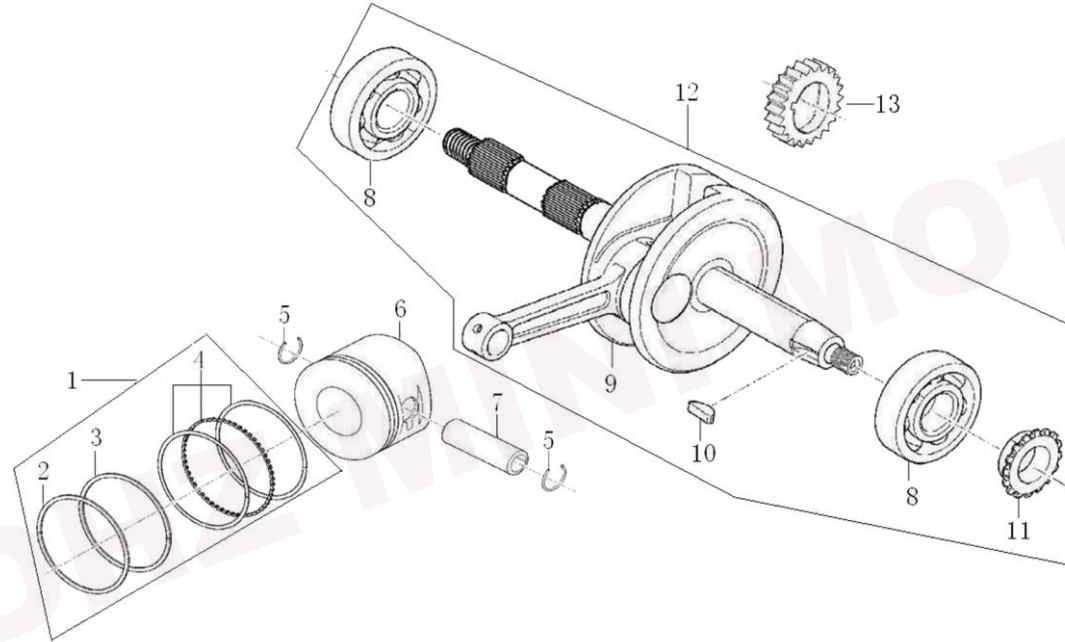
REF.No.	PART No.	DESCRIPTION	QTY
1	1431B-D002-0000	STRAINER,OIL FILTER	1
2	B008230006003520B	SCREW M6x35	1
3	B008230006004020B	SCREW M6x40	2
4	14100-JA16-0000	OIL PUMP ASSY	1
5	B057830005001270B	BOLT M5x12	2
6	14108-JA16-0000	OIL PUMP COVER	1
7	14111-JA16-0000	INNER ROTOR, OIL PUMP	1
8	14112-JA16-0000	OUTER ROTOR, OIL PUMP	1
9	14110-JA16-0000	OIL PUMP BODY	1
10	1410B-JA16-0000	OIL PUMP GEAR ASS.	1
11	B0089600050000000	CIRCLIP 5	2
12	B0011902025100000	PIN 2.5x10	1
13	B0011902030160000	PIN 3x16	1
14	14107-JA16-0000	SHAFT,OIL PUMP	1
15	91521-08001200063	PIN 8x12x6.3	2

LEFT CRANKCASE



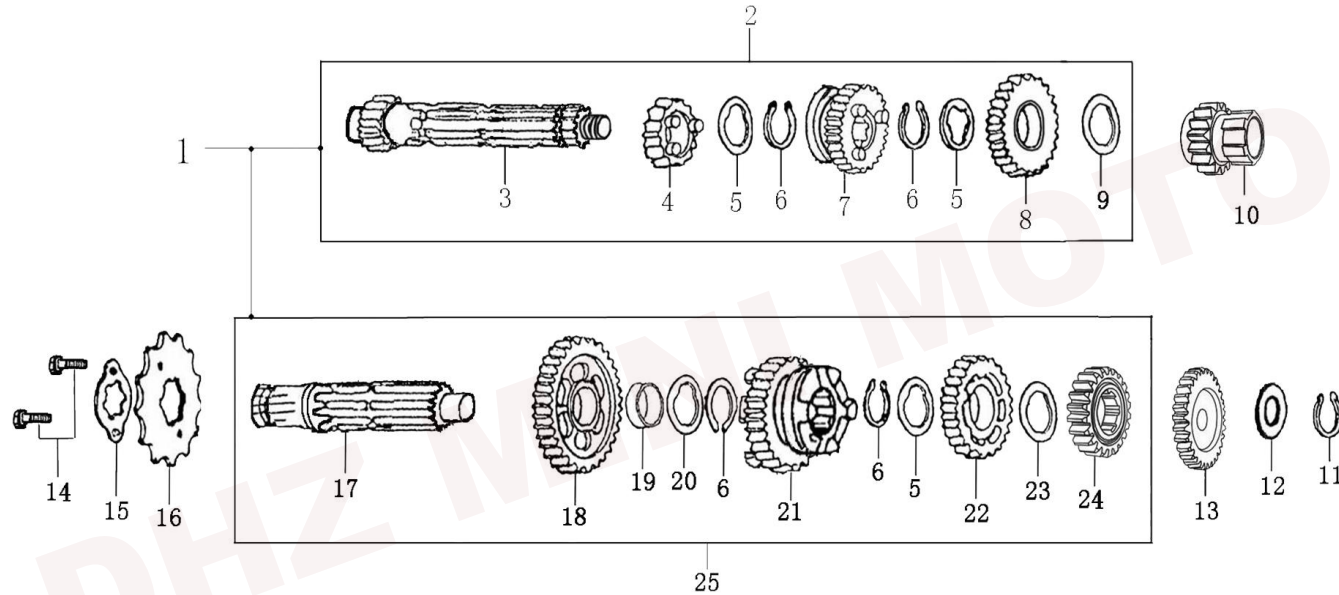
REF.No.	PART No.	DESCRIPTION	QTY
1	91101-JA16-0000	CYLINDER STUD BOLT A	2
2	92102-00000006001	BEARING (6001)	1
3	92102-00000006203	BEARING (6203)	1
4	12130-G011-0102	PIPE ASSY	1
5	B166740A06006070X	BOLT M6x60	2
6	11003-D002-00000X	CLIP, HIGH VOLTAGE WIRE	1
7	B166740A06004570X	BOLT M6x45	1
8	B166740A06006570X	BOLT M6x65	4
9	90303-D002-0000	OIL SEAL 17x29x5	1
10	90301-D002-0000	OIL-SEAL 11.6x24x10	1
11	12108-D002-00000X	CLIP, OVERFLOW PIPE	1
12	1212B-IZ02-000089	LEFT CRANKCASE BLOCK	1
13	91521-10001400000	PIN 10x14	2

CRANKSHAFT CONNECTING-ROD ASSY/PISTON



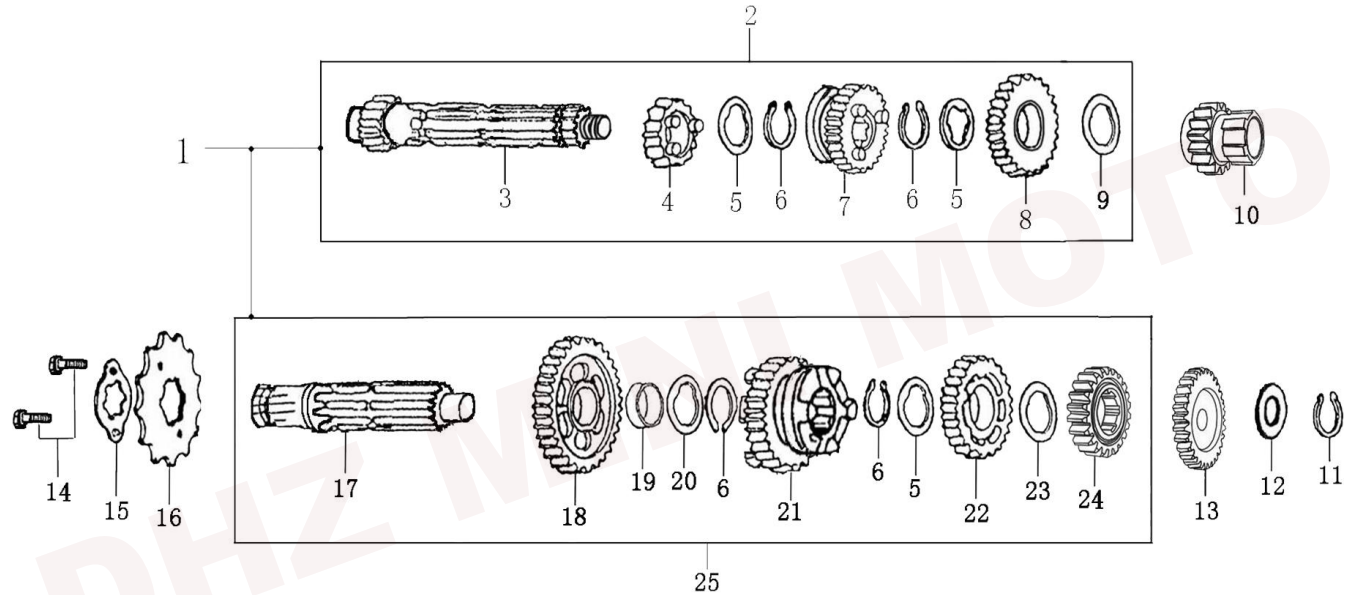
REF.No.	PART No.	DESCRIPTION	QTY
1	1310A-JA16-0000	PISTON RING COMP	1
2	13103-JA16-0000	PISTON RING 1	1
3	13104-JA16-0000	PISTON RING 2	1
4	13120-JA16-0000	OIL RING ASSY	1
5	91401-D002-0000	CHECK RING, PISTON PIN	2
6	13101-JA16-0000	PISTON	1
7	13102-D002-0000	PIN PISTON	1
8	92102-00000522215	BEARING (52x22x15)	2
9	13220-JA16-0000	CONNECTING ROD COMP 3	1
10	91601-D002-0000	SEMICIRCULAR KEY	1
11	13222-JA16-0000	HUB DUMP CHAIN SPROCKET	1
12	1320B-JA16-0004	CRANKSHAFT CONNECTING-ROD ASSY	1
13	14101-IZ02-0000	DRIVE GEAR,OIL PUMP	1

TRANSMISSION MAIN,COUNTER SHAFT



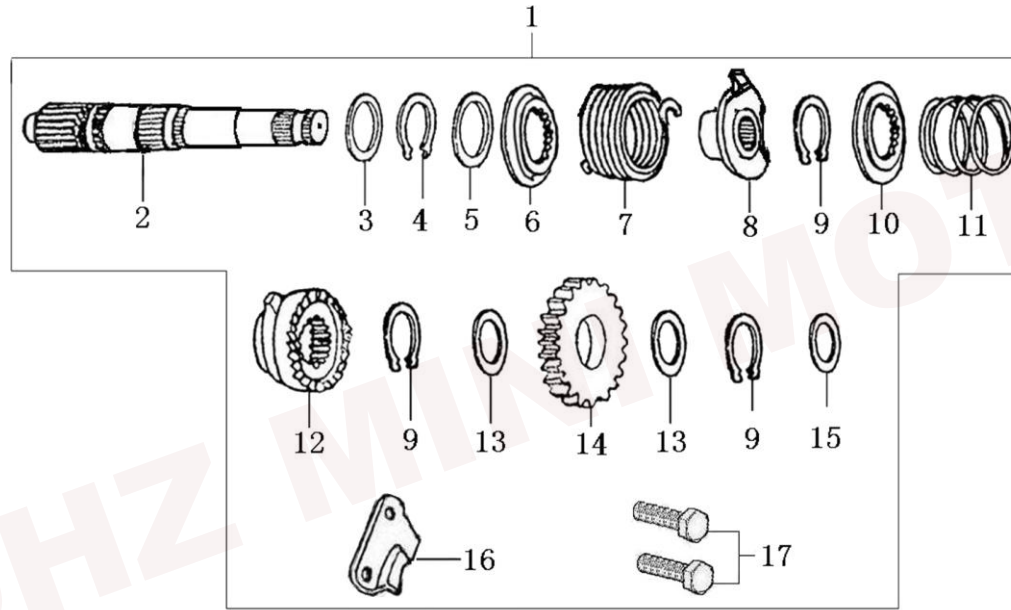
REF.No.	PART No.	DESCRIPTION	QTY
1	23200-JA16-0000	TRANSMISSION MAIN, COUNTER SHAFT	1
2	23220-JA16-0000	MAIN SHAFT, TRANSMISSION	1
3	23221-JA16-0000	TRANSMISSION MAIN SHAFT	1
4	23222-JA16-0002	GEAR M-2	1
5	23223-D002-0000	WASHER	3
6	23226-D002-0000	CIRCLIP	4
7	23222-JA16-0003	GEAR M-3	1
8	23222-JA16-0004	GEAR M-4	1
9	93301-61710526000	WASHER 17.2x1.0x24	1
10	23233-JA16-0000	STARTING GEAR	1
11	B0089401150000000	CIRCLIP 15	1
12	93301-5152052300C	WASHER 15.2x0.5x23	1
13	23248-JA16-0000	GEAR	1
14	B057830006001070B	BOLT M6x10	2
15	23402-D002-0000	FIXING PLATE,DRIVE SPROCKET	1

TRANSMISSION MAIN,COUNTER SHAFT



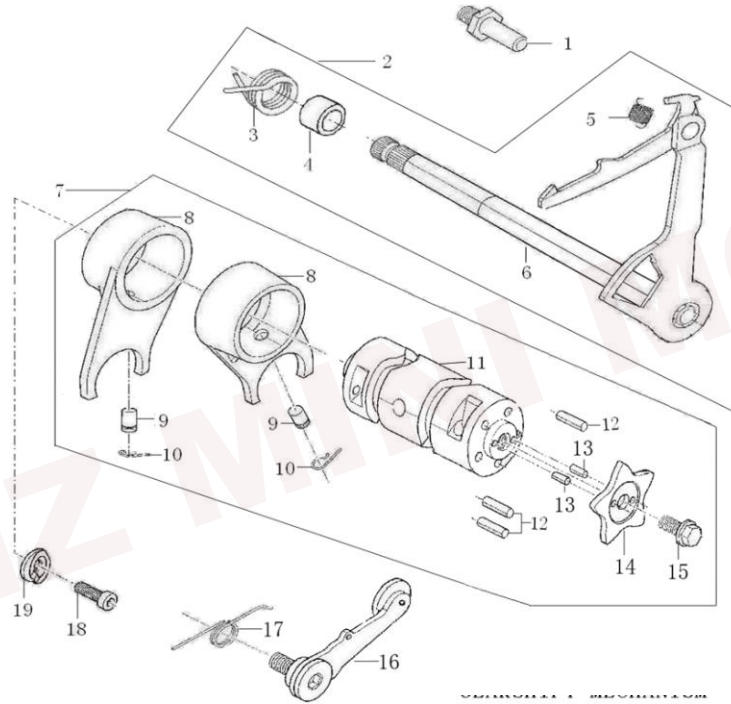
REF.No.	PART No.	DESCRIPTION	QTY
16	23401-G011-0000	DRIVE SPROCKET	1
17	23241-JA16-0000	TRANSMISSION COUNTER SHAFT	1
18	23242-D002-0001	GEAR C-1	1
19	23247-D002-0000	COLLAR	1
20	23223-D002-0002	WASHER	1
21	23242-D002-0002	GEAR C-2	1
22	23242-JA16-0003	GEAR C-3	1
23	93301-51721026000	WASHER 17.2x1.0x26	1
24	23242-JA16-0004	GEAR C-4	1
25	23240-JA16-0000	COUTERSHAFT TRANSMISSION	1

KICK STARTING SHAFT ASSEMBLY



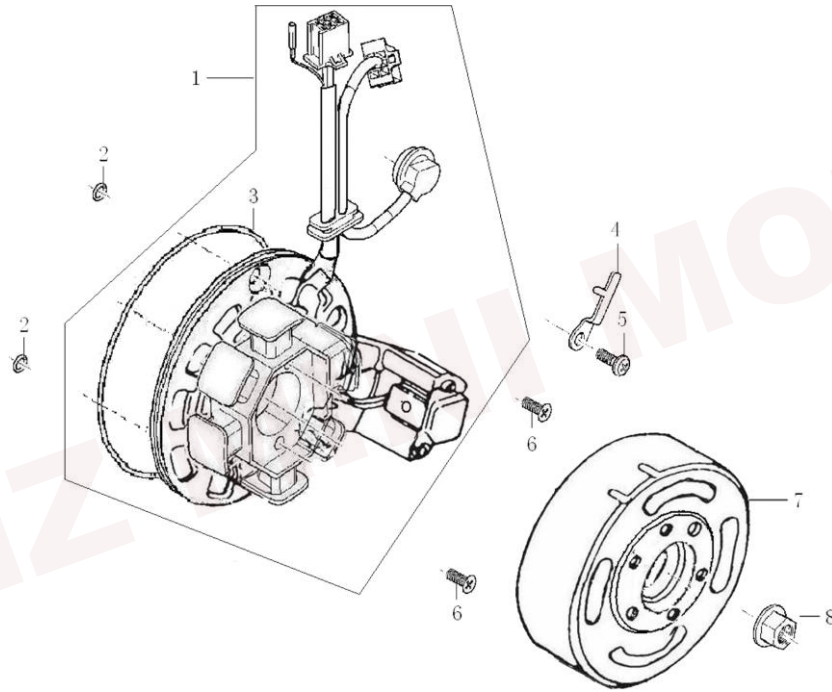
REF.No.	PART No.	DESCRIPTION	QTY
1	21100-JA16-0000	W140启动轴总成	1
2	21107-IZ02-0000	PIVOT, KICK STARTING SHAFT	1
3	93301-61410522000	WASHER 14.1x0.5x22	1
4	91402-D002-0000	CIRCLI $\phi 15.5 \times 1.2 \times \phi 19$	1
5	93301-61721024000	WASHER 17.2x1.0x24	1
6	21104-IZ02-0000	SEAT, SPRING, KICK STARTING SHAFT	1
7	21106-IZ02-0000	RETURN SPRING, KICK STARTING SHAFT	1
8	21104-D002-0000	SEAT, SPRING, KICK STARTING SHAFT	1
9	91402-D002-0100	CIRCLI $\phi 18.5 \times 1.2 \times \phi 22.1$	3
10	21122-D002-0000	SPRING SUPPORT	1
11	21119-D002-0000	SPRING, KICK STARTING RATCHET WHEEL	1
12	21118-IZ02-0000	STARTING RATCHET	1
13	93301-62011027000	WASHER 20.1x1x27	2
14	21117-JA16-0000	GEAR, KICK STARTER	1
15	93301-61411022000	WASHER 14.1x1x22	1

GEARSHIFT MECHANISM



REF.No.	PART No.	DESCRIPTION	QTY
1	91117-D002-0100	BOLT, RETURN SPRINGN FIXING 8x11	1
2	24300-D002-0102	GEARSHIFT LEVER COMP	1
3	24302-D002-0000	RETURN SPRING	1
4	24320-D002-0000	SLEEVE OF GEARSHIFT LEVER COMP	1
5	24318-D002-0000	GEARSHIFT LEVER TENSIO M SPRING	1
6	24301-D002-0101	GEARSHIFT SHAFT COMP	1
7	24200-JA16-0100	GEARSHIFT DRUM COMP	1
8	24101-D002-0000	GEARSHIFT FORK	2
9	24102-D002-0000	GUIDE PIN	2
10	24103-D002-0000	CLIP, SPRING	2
11	24213-D002-0400	GEARSHIFT DRUM	1
12	91522-04001300000	PIN 4x13	3
13	91522-03000880000	PIN 3x8.8	2
14	24202-JA16-0000	STOPPING PLATE	1
15	B166740A06001670B	BOLT M6x16	1

MAGNETO COMP



REF.No.	PART No.	DESCRIPTION	QTY
1	82120-JA16-000045	STATOR ASSY,MAGNETO	1
2	90101-10065000180	O-RING 6.5x1.8	2
3	90101-21068000200	O-RING 106.8x2	1
4	88002-G011-0001	GEARSHIFT SWITCH PRESSING PLATE	1
5	B008230006001220B	SCREW M6x12	1
6	B008190106001620B	SCREW M6x16	2
7	82130-JA16-0000	ROTOR ASSY,MAGNETO	1
8	91213-D002-00000X	NUT	1